

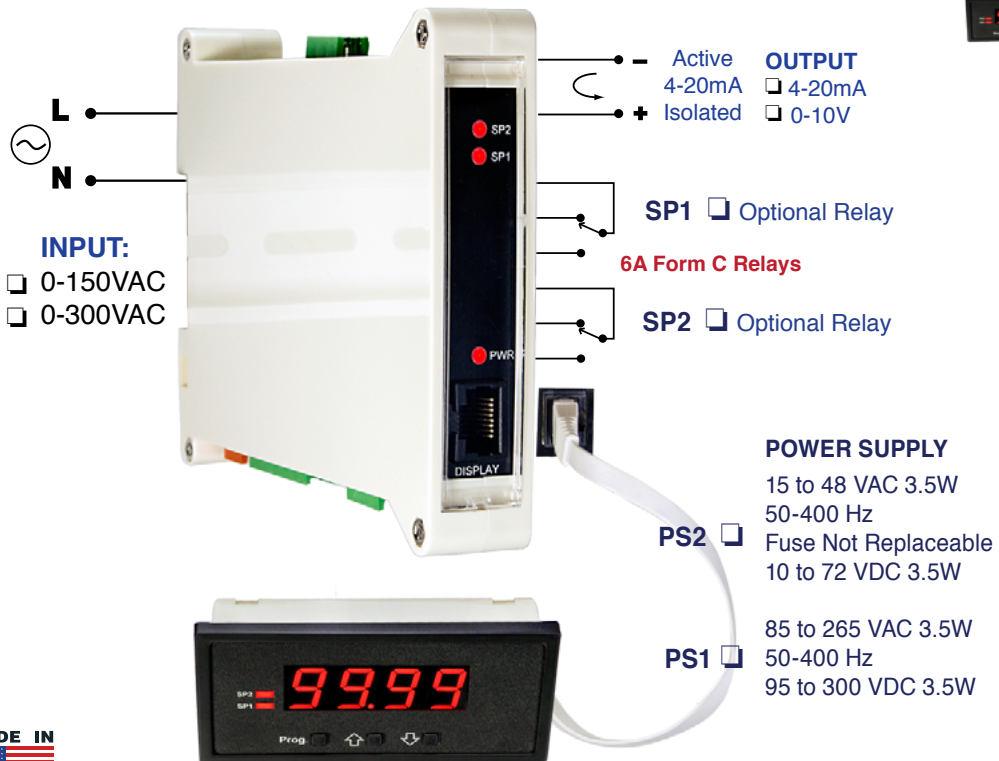
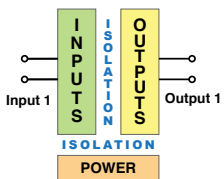


Leopard AC Volts Transmitter / Controller

TL-IA01 AC Volts Scaled RMS

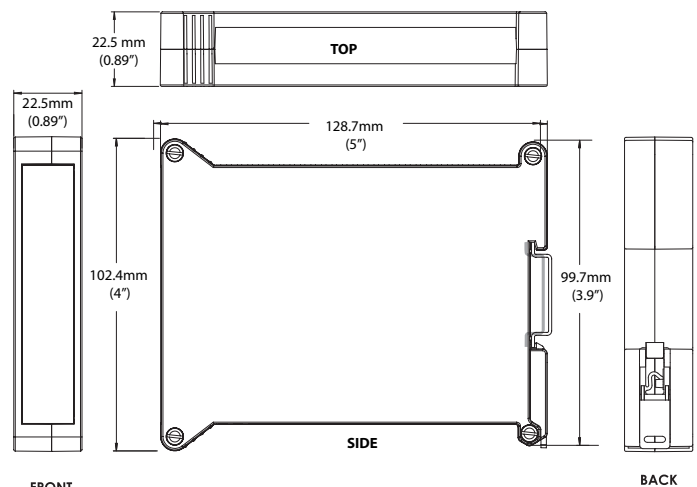
TL-IA06 AC Volts True RMS

- ▶ Compact, 22.5mm, DIN Rail Mount Transmitter
- ▶ AC Volts Scaled or True RMS to 4-20mA Transmitter
- ▶ Two optional 6A FormC Relays
- ▶ Triple Isolated: Power to Inputs
Power to Outputs
Inputs to Outputs



Optional Remote Display Programmer
 Needed for Programming Relays

CASE DIMENSIONS



- TL-IA01 . . AC Volts Scaled RMS.....\$189
- TL-IA06 . . AC Volts True RMS.....\$209

▶ **POWER SUPPLY**

- PS1 85-265VAC/95-300VDC\$0
- PS2 15-48VAC/10-72VDC\$35

▶ **RELAY OUTPUT**

- R11 . . Single 6A Form C Relay\$40
- R12 . . Dual 6A Form C Relays\$75

Short Depth 96x48 Remote Display/Programmer Kit
 OP-TL/RDISP . . Remote Display/Programmer
 w/Cable and Belt clip Carrying Case\$75



• For ordering info call: 1-800-TEXMATE or 760 598-9899
 • Email: orders@texmate.com • Fax: (760) 598-9828
 • For tech assistance call: (760) 598-9899
 450 State Place, Escondido, CA 92029